

XCD 1,9/80mm

The XCD 80mm, Hasselblad's fastest lens ever, has the largest aperture of any Hasselblad lens with f/1,9. Its slightly longer than normal focal length provides a 63mm full frame equivalency, making it perfect for portraits with its ability to produce a silky bokeh.

As part of the X System lens range, its compact size perfectly complements the compact X1D body. Like the other XCD lenses, the XCD 80mm lens has an integral central shutter offering a wide range of shutter speeds and full flash synchronisation up to 1/2000th second.

GENERAL LENS DATA

| | |
|--------------------------------------|------------------|
| Focal length | 80,5 mm |
| Equivalent Focal length (24x36) | 63 mm |
| Aperture range | 1,9 - 32 |
| Angle of view diag/hor/vert | 38°/31°/23° |
| Length/diameter | 112/84 mm |
| Weight (excl. covers and lens shade) | 1045 g |
| Filter diameter | 77 mm |
| Product number | CP.HB.0000030.01 |

CLOSE FOCUS RANGE DATA

| | |
|--|-------------|
| Minimum distance object to image plane | 0,70 m |
| Maximum image scale | 1:6,4 |
| Corresponding area of coverage | 28 x 21 cm |
| Corresponding exposure reduction | 0.5 f-stops |

COMPATIBILITY

- Hasselblad X1D cameras



LENS DESIGN

14 elements in 9 groups

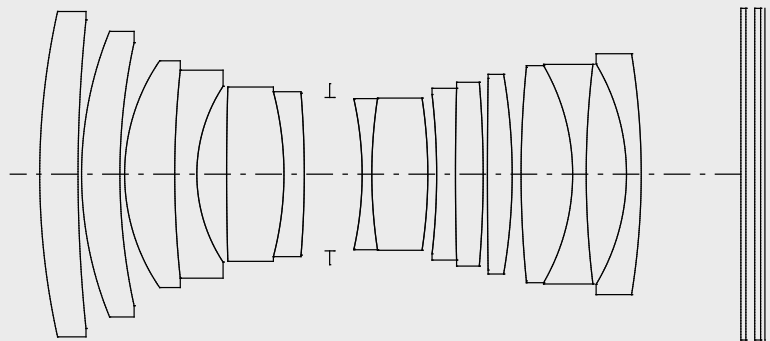
FOCUS TYPE

Front focusing

ENTRANCE PUPIL POSITION

61 mm in front of image plane

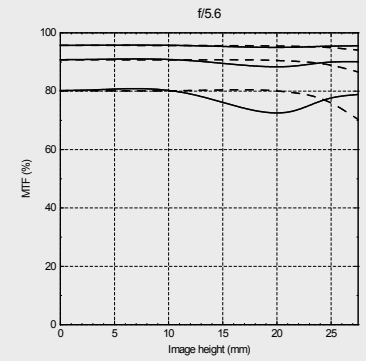
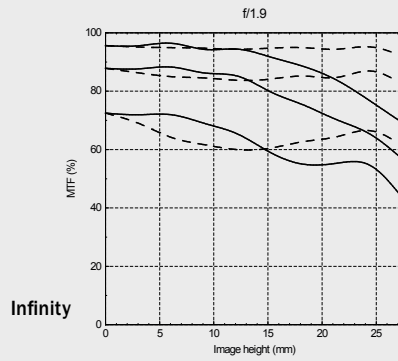
The entrance pupil position is the correct position of the axis of rotation when making a panorama image by combining individual images of a scene.



MTF

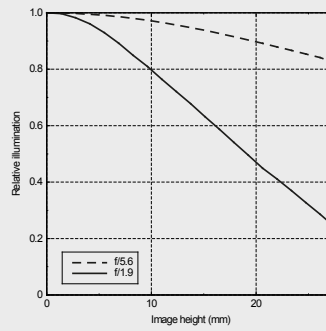
Modulation Transfer as a function of image height at infinity setting.

Sagittal slit orientation drawn with continuous line and tangential with dashed. White light. Spatial frequencies 10, 20 and 40 lp/mm



RELATIVE ILLUMINATION

Infinity setting



DISTORTION

Infinity setting

