

XCD 3,2/90MM

The XCD 90 is a light and compact short telephoto lens for the X1D II. Its moderate telephoto focal length provides a 71mm equivalent field of view, making it the perfect portrait lens. Coupled with its wide aperture, the focal length allows you to isolate small elements in the field of view with a beautifully smooth bokeh.

All XCD lenses contain a lens shutter delivering shutter speeds from 68 minutes to 1/2000 second. Providing flash sync at all speeds allows complete freedom when mixing flash and day-light. The lens shutter also generates very little vibration providing hand-hold shots with perfect sharpness.

GENERAL LENS DATA

| | |
|--|-------------------|
| Focal length | 90.0 mm |
| Equivalent Focal length (24x36) | 71 mm |
| Aperture range | 3.2 - 32 |
| Angle of view diag/hor/vert | 34°/27°/21° |
| Length/diameter | 100 mm/77 mm |
| Length (from camera lens mount flange) | 95 mm |
| Weight (excl. covers and lens shade) | 619 g |
| Filter diameter | 67 mm |
| Product number | CP.QT.00000204.01 |

CLOSE FOCUS RANGE DATA

| | |
|--|------------|
| Minimum distance object to image plane | 0.7 m |
| Maximum image scale | 1:6.0 |
| Corresponding area of coverage | 26 x 20 cm |
| Corresponding exposure reduction | 0 f-stops |

COMPATIBILITY

- Hasselblad X System cameras



LENS DESIGN

10 elements in 8 groups

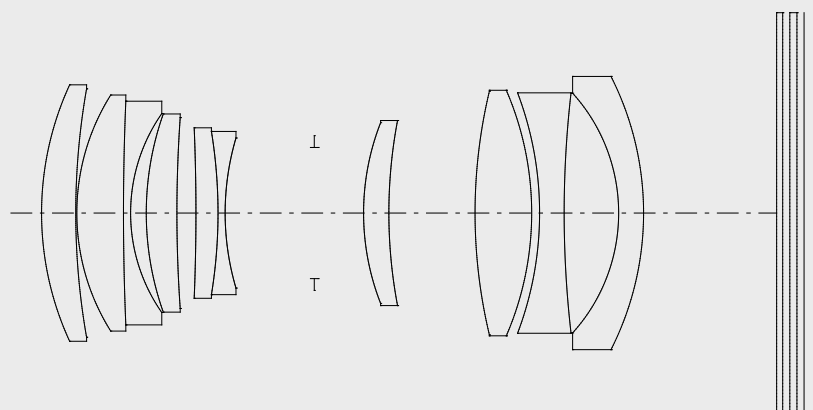
FOCUS TYPE

Internal focusing

ENTRANCE PUPIL POSITION

53 mm in front of image plane

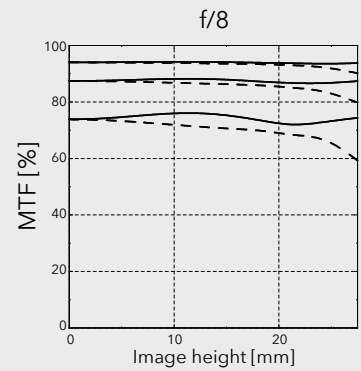
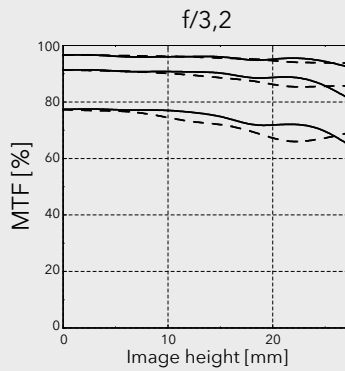
The entrance pupil position is the correct position of the axis of rotation when making a panorama image by combining individual images of a scene.



MTF

Modulation Transfer as a function of image height at infinite focus setting.

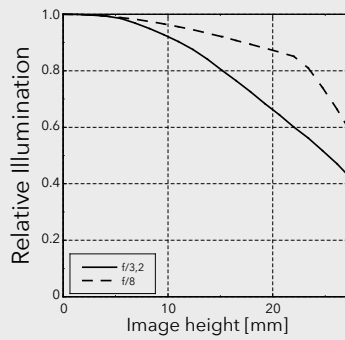
Sagittal slit orientation drawn with continuous line and tangential with dashed. White light. Spatial frequencies 10, 20 and 40 lp/mm



RELATIVE ILLUMINATION

Infinity setting.

When images are imported to Phocus, light fall-off is automatically removed.



DISTORTION

Infinity setting.

When images are imported to Phocus, distortion is automatically removed.

